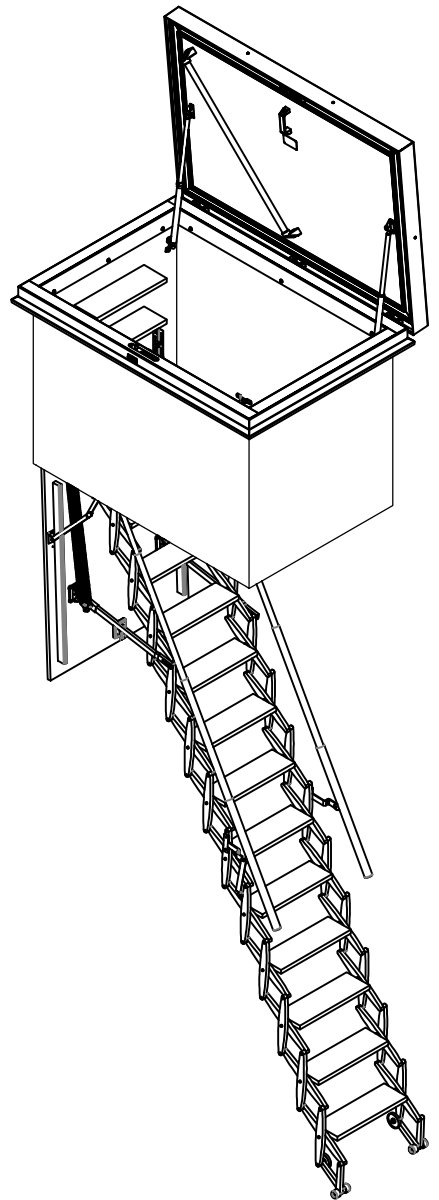
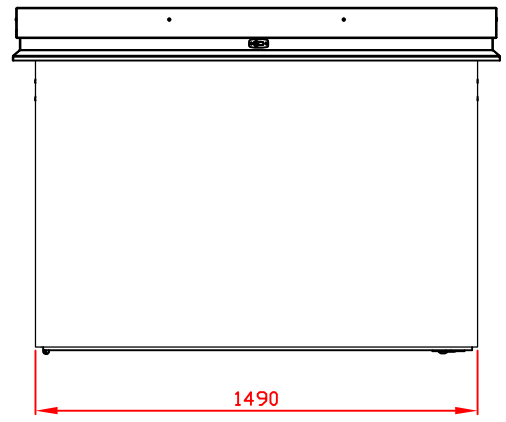
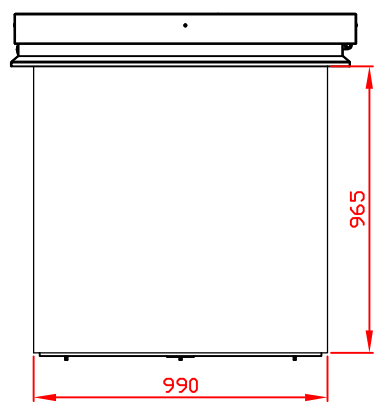
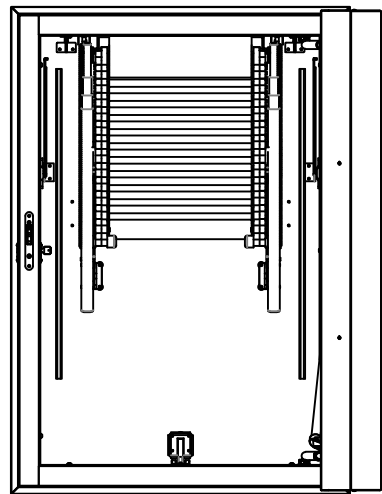
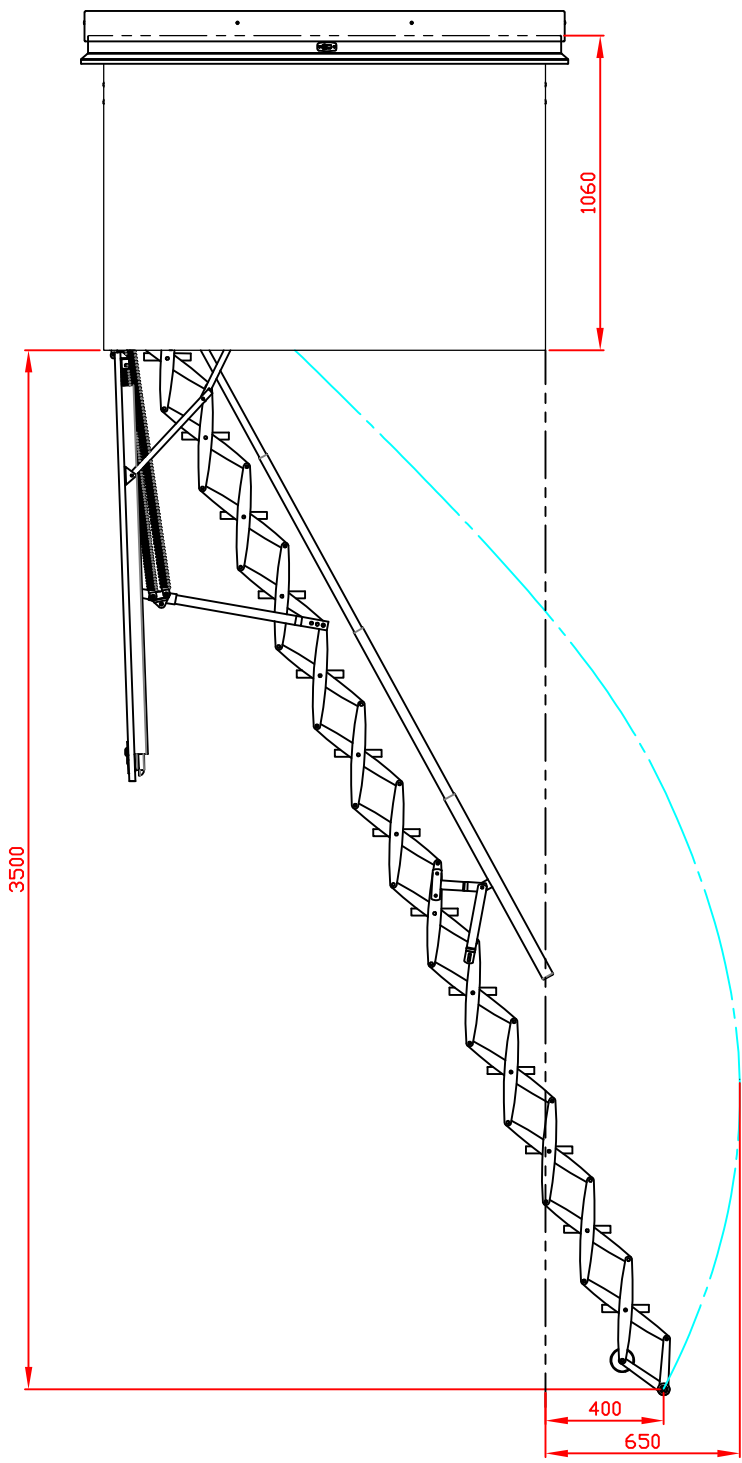


Copyright © 2020 by Gorter Group BV - Schiedam, the Netherlands.
 All rights reserved. This drawing is the property of publisher and incorporates specifications and designs in which publisher has proprietary rights.
 No part may be reproduced, stored in a database or retrieval system or published in any form or any way without prior written permission from the publisher.



Projection view		Gorter Group BV	
Scale	1:9	PO Box 285 NL 1740 AG SCHAGEN www.gortergroup.com E-mail: sales@gortergroup.com Tel: +31 224 21 88 60 Fax: +31 224 21 88 61	
Designation	RHTS		
Drawing number		Rev.	1/1
		00	A1